

brownall Labtap®

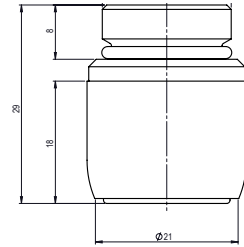
Accessories

Water

Aerator

Aerator for water fittings.

15 80 011	M19x1 (For XL34- and XL36-series)
15 80 013	ISO228/1-G3/8 (For XL33-series)



Water

Pipe interruptor

Pipe interruptor with permanent atmospheric vent. Back flow preventer to be mounted between the spout and nozzle.

Back flow preventer for XL34- and XL36-series, for removable nozzle, order nozzle 25390081001 with thread female G1/2

15 279 559	Male M19 x 1, Male G1/2
------------	-------------------------



Water

Pipe interruptor

Pipe interruptor with permanent atmospheric vent. Back flow preventer to be mounted between the spout and nozzle.

Back flow preventer for all water outlets with removable nozzle. Existing nozzle can then be remounted.

15 279 569	Female G1/2", Male G1/2"
------------	--------------------------



Water

Pipe interruptor

Pipe interruptor with permanent atmospheric vent. Back flow preventer to be mounted between the spout and nozzle.

Back flow preventer for XL33- and elder spouts, for removable nozzle order nozzle 25390081001 with thread female G1/2

15 279 579	Male G3/8", Male G1/2"
------------	------------------------



brownall Labtap®

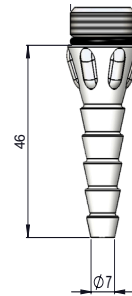
Accessories

Water

Nozzle

Fixed plastic nozzle for water fittings.

25 39 010 1001	M19x1 (For XL34- and XL36-series)
25 39 040 1001	ISO228/1-G3/8 (For XL33-series)



Water

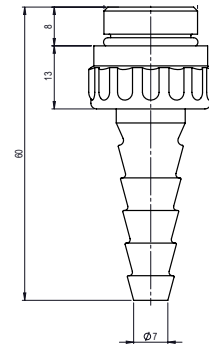
Nozzle

Removable plastic nozzle for water fittings.

25 39 004 1001	Plastic nozzle (choose adaptor according to series below)
----------------	---

Adaptor according to series.

25 39 003 1001	M19x1 (For XL34- and XL36-series)
25 39 040 1001	ISO228/1-G3/8 (For XL33-series)



Water

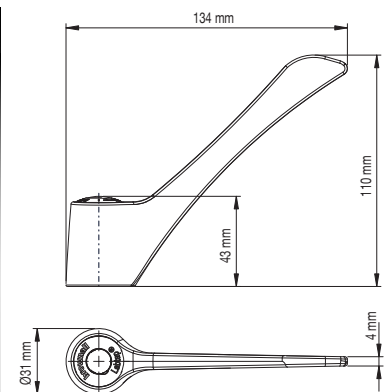
Wrist operated handle

Complete metal elbow lever with ceramic headwork

See page 24 for more information about headworks

WPC and WPH buttons are delivered as a standard. For other media please contact your sales representative.

15 80 008	Elbow lever complete, Left hand closing
15 80 009	Elbow lever complete, Right hand closing



Water

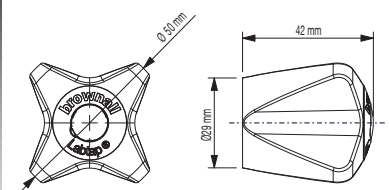
Handle

Complete plastic handle with compress headwork

See page 24 for more information about headworks

WPC and WPH buttons are delivered as a standard. For other media please contact your sales representative.

15 80 017	Handle complete with headwork, ring and button.
-----------	---



brownall Labtap®

Accessories

Water

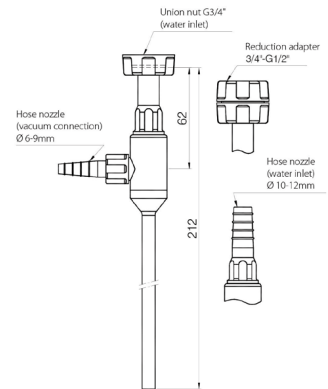
Vacuum pump

Water jet vacuum pump serrated nozzle

Fits all water outlets with removable nozzle.

Weight: Approx. 0.5 kg

19 199 009	Water jet filter pump
------------	-----------------------

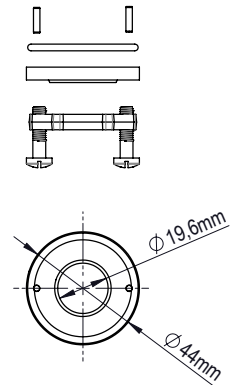
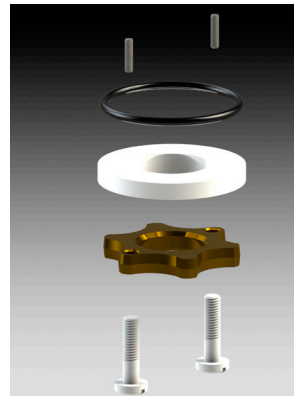


All media

Mounting kit G 1/2

Complete mounting kit for fittings with G1/2 mounting connection.

19 141 000	Complete mounting kit 1/2"
------------	----------------------------

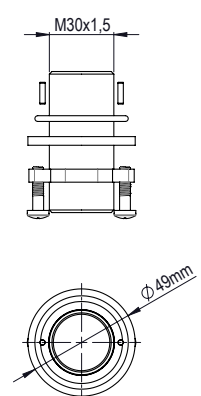


All media

Mounting kit M30 x 1.5

Complete mounting kit for fittings with M30x1.5 mounting connection.

19 142 000	Complete mounting kit M30x1.5
------------	-------------------------------



Other options:

19 143 000 - 30 mm

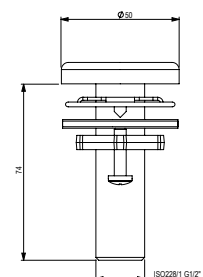
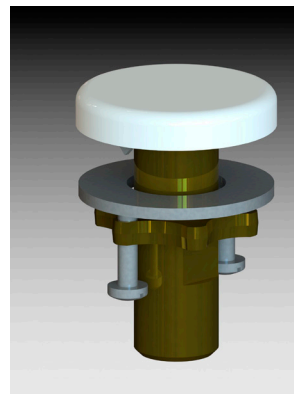
19 144 000 - 90 mm

All media

Bordprop

End cap Blank-off cover

19 640 009	IS0228/1 G1/2"
------------	----------------



brownall Labtap®

Headworks

Water

Compress Headwork

Headwork for water.

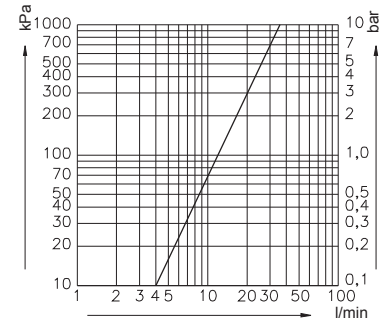
Open/closing function: 2 x 360°.

Maximum test pressure without function of the valve: 10 bar.

Temperature: Max. 90°C.

Leak rate: 15 mm³/sec. at 6 bar compressed air (differential pressure method).

19 77 000	Compress headwork water
-----------	-------------------------



Water

Ceramic Headwork

Headwork used for wrist operated fittings for water.

Open/closing function: 90° (right or left hand).

Maximum test pressure without function of the valve: 10 bar.

Temperature: Max. 90°C.

Leak rate: 15 mm³/sec. at 6 bar compressed air (differential pressure method).

19 76 400	Ceramic headwork cold water
19 76 500	Ceramic headwork hot water

